

FIT Number	Dimension (mm)								rating load			
	d	D	T	B	C	r1	r2	Weight	C ₀	C _{0r}		
30203	17	40	13.25	12	11	1	1	0.08	Kg	20100	19900	N
	0.6693	1.5748	0.5217	0.4724	0.4331	0.0394	0.0394	0.18	lb	4523	4478	lb
30204	20	47	15.25	14	12	1	1	0.13	Kg	27900	28500	N
	0.7874	1.8504	0.6004	0.5512	0.4724	0.0394	0.0394	0.29	lb	6278	6413	lb
30205	25	52	16.25	15	13	1	1	0.15	Kg	32000	35000	N
	0.9843	2.0472	0.6398	0.5906	0.5118	0.0394	0.0394	0.33	lb	7200	7875	lb
30206	30	62	17.25	16	14	1	1	0.23	Kg	43000	47500	N
	1.1811	2.4409	0.6791	0.6299	0.5512	0.0394	0.0394	0.51	lb	9675	10688	lb
30207	35	72	18.25	17	15	1.5	1.5	0.34	Kg	54000	59500	N
	1.3780	2.8346	0.7185	0.6693	0.5906	0.0591	0.0591	0.75	lb	12150	13388	lb
30208	40	80	19.75	18	16	1.5	1.5	0.42	Kg	63500	70000	N
	0.7087	0.6299	0.0591	0.0591	0.0165	0.0591	0.0591	0.92	lb	14288	15750	lb
30209	45	85	20.75	19	16	1.5	1.5	0.48	Kg	68500	79500	N
	1.7717	3.3465	0.8169	0.7480	0.6299	0.0591	0.0591	1.06	lb	15413	17888	lb
30210	50	90	21.750	20	17	1.5	1.5	0.52	Kg	76000	91500	N
	1.9685	3.5433	0.8563	0.7874	0.6693	0.0591	0.0591	1.14	lb	17100	20588	lb
30211	55	100	22.75	21	18	2	1.5	0.72	Kg	94500	113000	N
	2.1654	3.9370	0.8957	0.8268	0.7087	0.0787	0.0591	1.58	lb	21263	25425	lb
30212	60	110	23.75	22	19	2	1.5	0.91	Kg	104000	123000	N
	2.3622	4.3307	0.9350	0.8661	0.7480	0.0787	0.0591	2.00	lb	23400	27675	lb
30213	65	120	24.75	23	20	2	1.5	1.12	Kg	122000	151000	N
	2.5591	4.7244	0.9744	0.9055	0.7874	0.0787	0.0591	2.46	lb	27450	33975	lb

Tapered Roller Bearings- Metric

FIT Number	Dimension (mm)									rating load		
	d	D	T	B	C	r1	r2	Weight		C ₀	C _{0r}	
30214	70	125	26.25	24	21	2	1.5	1.26	Kg	132000	163000	N
	2.7559	4.9213	1.0335	0.9449	0.8268	0.0787	0.0591	2.77	lb	29700	36675	lb
30215	75	130	27.25	25	22	2	1.5	1.36	Kg	143000	182000	N
	2.9528	5.1181	1.0728	0.9843	0.8661	0.0787	0.0591	2.99	lb	32175	40950	lb
30216	80	140	28.25	26	22	2.5	2	1.67	Kg	157000	195000	N
	3.1496	5.5118	1.1122	1.0236	0.8661	0.0984	0.0787	3.67	lb	35325	43875	lb
30217	85	150	30.5	28	24	2.5	2	2.08	Kg	184000	233000	N
	3.3465	5.9055	1.2008	1.1024	0.9449	0.0984	0.0787	4.58	lb	41400	52425	lb
30302	15	42	14.25	13	11	1	1	0.10	Kg	23600	21100	N
	0.5906	1.6535	0.5610	0.5118	0.4331	0.0394	0.0394	0.22	lb	5310	4748	lb
30303	17	47	15.25	14	12	1	1	0.13	Kg	29200	26700	N
	0.6693	1.8504	0.6004	0.5512	0.4724	0.0394	0.0394	0.29	lb	6570	6008	lb
30304	20	52	22.25	15	13	1.5	1.5	0.17	Kg	35000	33500	N
	0.7874	2.0472	0.8760	0.5906	0.5118	0.0591	0.0591	0.37	lb	7875	7538	lb
30305	25	62	18.25	17	15	1.5	1.5	0.26	Kg	47500	46000	N
	0.9843	2.4409	0.7185	0.6693	0.5906	0.0591	0.0591	0.57	lb	10688	10350	lb
30306	30	72	20.75	19	16	1.5	1.5	0.38	Kg	59500	60000	N
	1.1811	2.8346	0.8169	0.7480	0.6299	0.0591	0.0591	0.84	lb	13388	13500	lb
30307	35	80	22.75	21	18	2	1.5	0.39	Kg	76000	79000	N
	1.3780	3.1496	0.8957	0.8268	0.7087	0.0787	0.0591	0.86	lb	17100	17775	lb
30308	40	90	25.25	23	20	2	1.5	0.75	Kg	90500	101000	N
	1.5748	3.5433	0.9941	0.9055	0.7874	0.0787	0.0591	1.65	lb	20363	22725	lb
30309	45	100	27.25	25	22	2	1.5	0.99	Kg	112000	127000	N
	1.7717	3.9370	1.0728	0.9843	0.8661	0.0787	0.0591	2.18	lb	25200	28575	N
30310	50	110	29.25	27	23	2.5	2.0	1.23	Kg	130000	148000	lb
	1.9685	4.3307	1.1516	1.0630	0.9055	0.0984	0.0787	2.71	lb	29250	33300	N
30311	55	120	31.5	29	25	2.5	2	1.61	Kg	150000	171000	lb
	2.1654	4.7244	1.2402	1.1417	0.9843	0.0984	0.0787	3.54	lb	33750	38475	N
30312	60	130	33.5	31	26	3	2.5	1.95	Kg	174000	201000	lb
	2.3622	5.1181	1.3189	1.2205	1.0236	0.1181	0.0984	4.29	lb	39150	45225	N
30313	65	140	36	33	28	3.0	2.5	2.44	Kg	200000	233000	lb
	2.5591	5.5118	1.4173	1.2992	1.1024	0.1181	0.0984	5.37	lb	45000	52425	N
30314	70	150	38	35	30	3	2.5	2.99	Kg	227000	268000	lb
	2.7559	5.9055	1.4961	1.3780	1.1811	0.1181	0.0984	6.58	lb	51075	60300	N
30315	75	160	40	37	31	3	2.5	3.58	Kg	253000	300000	lb
	2.9528	6.2992	1.5748	1.4567	1.2205	0.1181	0.0984	7.88	lb	56925	67500	N
30316	80	170	42.5	39	33	3	2.5	4.27	Kg	276000	330000	lb
	3.1496	6.6929	1.6732	1.5354	1.2992	0.1181	0.0984	9.39	lb	62100	74250	N

Tapered Roller Bearings- Metric

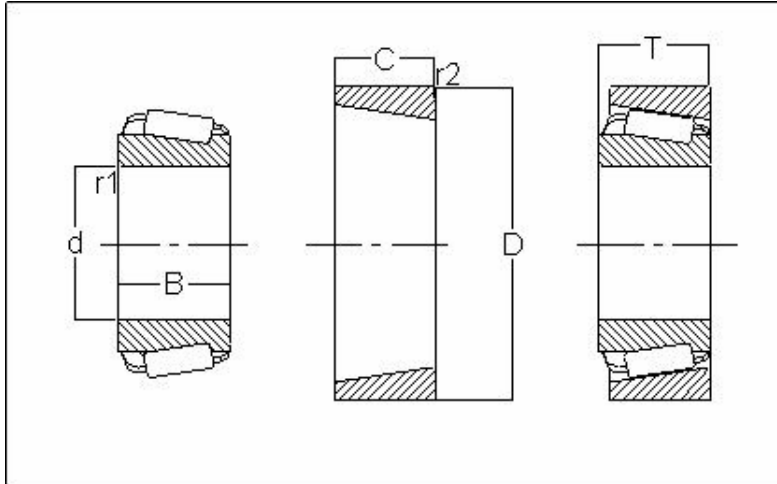
FIT Number	Dimension (mm)								rating load			
	d	D	T	B	C	r1	r2	Weight	C ₀	C _{0r}		
30317	85	180	44.5	41	34	4	3	4.85	Kg	310000	375000	lb
	3.3465	7.0866	1.7520	1.6142	1.3386	0.1575	0.1181	10.67	lb	69750	84375	N
30318	90	190	46.5	43	36	4	3	5.79	Kg	305000	360000	N
	3.5433	7.4803	1.8307	1.6929	1.4173	0.1575	0.1181	12.74	lb	68625	81000	lb
30319	95	200	49.5	45	38	4	3	6.80	Kg	335000	400000	N
	3.7402	7.8740	1.9488	1.7717	1.4961	0.1575	0.1181	14.96	lb	75375	90000	lb
30320	100	215	51.5	47	39	4	3	8.20	Kg	365000	435000	N
	3.9370	8.4646	2.0276	1.8504	1.5354	0.1575	0.1181	18.04	lb	82125	97875	lb
30307	35	80	22.75	21	15	2	1.5	0.52	Kg	62000	68000	N
	1.3780	3.1496	0.8957	0.8268	0.5906	0.0787	0.0591	1.14	lb	13950	15300	lb
30311	55	120	31.5	29	21	2.5	2	1.55	Kg	150000	171000	N
	2.1654	4.7244	1.2402	1.1417	0.8268	0.0984	0.0787	3.41	lb	33750	38475	lb
32206	30	62	21.25	20	17	1	1	0.29	Kg	52000	60000	N
	1.1811	2.4409	0.8366	0.7874	0.6693	0.0394	0.0394	0.64	lb	11700	13500	lb
32207	35	72	24.25	23	19	1.5	1.5	0.45	Kg	70500	83500	N
	1.3780	2.8346	0.9547	0.9055	0.7480	0.0591	0.0591	0.99	lb	15863	18788	lb
32208	40	80	24.75	23	19	1.5	1.5	0.53	Kg	77000	90500	N
	1.5748	3.1496	0.9744	0.9055	0.7480	0.0591	0.0591	1.17	lb	17325	20363	lb
32209	45	85	24.75	23	19	1.5	1.5	0.58	Kg	83000	102000	N
	1.7717	3.3465	0.9744	0.9055	0.7480	0.0591	0.0591	1.28	lb	18675	22950	lb
32210	50	90	24.75	23	19	1.5	1.5	0.65	Kg	87500	109000	N
	1.9685	3.5433	0.9744	0.9055	0.7480	0.0591	0.0591	1.43	lb	19688	24525	lb
32211	55	100	26.75	25	21	2.0	1.5	0.86	Kg	110000	137000	N
	2.1654	3.9370	1.0531	0.9843	0.8268	0.0787	0.0591	1.89	lb	24750	30825	lb
32212	60	110	29.75	28	24	2	1.5	1.16	Kg	131000	167000	N
	2.3622	4.3307	1.1713	1.1024	0.9449	0.0787	0.0591	2.55	lb	29475	37575	lb
32213	65	120	32.75	31	27	2	1.5	1.54	Kg	157000	202000	N
	2.5591	4.7244	1.2894	1.2205	1.0630	0.0787	0.0591	3.39	lb	35325	45450	lb
32214	70	125	33.25	31	27	2	1.5	1.63	Kg	157000	205000	N
	2.7559	4.9213	1.3091	1.2205	1.0630	0.0787	0.0591	3.59	lb	35325	46125	lb
32215	75	130	33.25	31	27	2	1.5	1.75	Kg	165000	219000	N
	2.9528	5.1181	1.3091	1.2205	1.0630	0.0787	0.0591	3.85	lb	37125	49275	N
32216	80	140	35.25	33	28	2.5	2.0	2.13	Kg	192000	254000	lb
	3.1496	5.5118	1.3878	1.2992	1.1024	0.0984	0.0787	4.69	lb	43200	57150	N
32217	85	150	38.500	36	30	2.5	2.0	2.57	Kg	210000	217000	lb
	3.3465	5.9055	1.5157	1.4173	1.1811	0.0984	0.0787	5.65	lb	47250	48825	N
32218	90	160	42.5	40	34	2.5	2	3.28	Kg	256000	350000	lb
	3.5433	6.2992	1.6732	1.5748	1.3386	0.0984	0.0787	7.22	lb	57600	78750	N

Tapered Roller Bearings- Metric

FIT Number	Dimension (mm)								rating load			
	d	D	T	B	C	r1	r2	Weight	C ₀	C _{0r}		
32304	20	52	22.25	21	18	1.5	1.5	0.23	Kg	45500	47500	lb
	0.7874	2.0472	0.8760	0.8268	0.7087	0.0591	0.0591	0.51	lb	10238	10688	N
32305	25	62	25.25	24	20	1.5	1.5	0.37	Kg	62500	66000	lb
	0.9843	2.4409	0.9941	0.9449	0.7874	0.0591	0.0591	0.81	lb	14063	14850	N
32306	30	72	28.75	27	23	1.5	1.5	0.56	Kg	80000	88500	lb
	1.1811	2.8346	1.1319	1.0630	0.9055	0.0591	0.0591	1.23	lb	18000	19913	N
32307	35	80	32.75	31	25	2	1.5	0.77	Kg	99000	111000	lb
	1.3780	3.1496	1.2894	1.2205	0.9843	0.0787	0.0591	1.69	lb	22275	24975	N
32308	40	90	35.25	33	27	2	1.5	1.05	Kg	120000	145000	lb
	1.5748	3.5433	1.3878	1.2992	1.0630	0.0787	0.0591	2.31	lb	27000	32625	N
32309	45	100	38.25	36	30	2	1.5	1.40	Kg	144000	177000	N
	1.7717	3.9370	1.5059	1.4173	1.1811	0.0787	0.0591	3.08	lb	32400	39825	lb
32310	50	110	42.25	40	33	2.5	2.0	1.89	Kg	176000	220000	N
	1.9685	4.3307	1.6634	1.5748	1.2992	0.0984	0.0787	4.16	lb	39600	49500	lb
32311	55	120	45.50	43	35	2.5	2	2.37	Kg	204000	258000	N
	2.1654	4.7244	1.7913	1.6929	1.3780	0.0984	0.0787	5.21	lb	45900	58050	lb
32312	60	130	48.5	46	37	3	2.5	2.90	Kg	233000	295000	N
	2.3622	5.1181	1.9094	1.8110	1.4567	0.1181	0.0984	6.38	lb	52425	66375	lb
32313	65	140	51	48	39	3	2.5	3.51	Kg	267000	340000	N
	2.5591	5.5118	2.0079	1.8898	1.5354	0.1181	0.0984	7.72	lb	60075	76500	lb
33019	95	145	39	39	32.500	2	1.5	2.19	Kg	231000	390000	N
	3.7402	5.7087	1.5354	1.5354	1.2795	0.0787	0.0591	4.82	lb	51975	87750	lb
33206	30	62	25	25	19.5	1	1	0.37	Kg	66500	79500	N
	1.1811	2.4409	0.9843	0.9843	0.7677	0.0394	0.0394	0.81	lb	14963	17888	lb
33207	35	72	28	28	22	1.5	1.5	0.52	Kg	86500	108000	N
	1.3780	2.8346	1.1024	1.1024	0.8661	0.0591	0.0591	1.14	lb	19463	24300	lb
33208	40	80	32	32	25	1.5	1.5	0.54	Kg	107000	137000	N
	1.5748	3.1496	1.2598	1.2598	0.9843	0.0591	0.0591	1.19	lb	24075	30825	lb
33209	45	85	32	32	25	1.5	1.5	0.82	Kg	111000	147000	N
	1.7717	3.3465	1.2598	1.2598	0.9843	0.0591	0.0591	1.80	lb	24975	33075	lb
33213	65	120	41	41	32	2	1.5	2.05	Kg	202000	282000	N
	2.5591	4.7244	1.6142	1.6142	1.2598	0.0787	0.0591	4.51	lb	45450	63450	lb
33115	75	125	37	37	29	2	1.5	1.76	Kg	182000	275000	N
	2.9528	4.9213	1.4567	1.4567	1.1417	0.0787	0.0591	3.87	lb	40950	61875	lb
33117	85	140	41	41	32	2.5	2	2.45	Kg	230000	365000	N
	3.3465	5.5118	1.6142	1.6142	1.2598	0.0984	0.0787	5.39	lb	51750	82125	lb
33118	90	150	45	45	35	2.5	2	3.10	Kg	259000	405000	N
	3.5433	5.9055	1.7717	1.7717	1.3780	0.0984	0.0787	6.82	lb	58275	91125	lb
32004X	20	42	15	15	12	0.6	0.6	0.10	Kg	24600	27400	N
	0.7874	1.6535	0.5906	0.5906	0.4724	0.0236	0.0236	0.22	lb	5535	6165	lb
32005X	25	47	15	15	11.5	0.6	0.6	0.11	Kg	27400	33000	N
	0.9843	1.8504	0.5906	0.5906	0.4528	0.0236	0.0236	0.24	lb	6165	7425	lb

Tapered Roller Bearings- Metric

FIT Number	Dimension (mm)									rating load		
	d	D	T	B	C	r1	r2	Weight		C ₀	C _{0r}	
32006X	30	55	17	17	13	1	1	0.17	Kg	36000	44500	N
	1.1811	2.1654	0.6693	0.6693	0.5118	0.0394	0.0394	0.37	lb	8100	10013	lb
32007X	35	62	18	18	14	1	1	0.23	Kg	43500	55500	N
	1.3780	2.4409	0.7087	0.7087	0.5512	0.0394	0.0394	0.51	lb	9788	12488	lb
32008X	35	62	18	18	14	1	1	0.27	Kg	52500	71000	N
	1.3780	2.4409	0.7087	0.7087	0.5512	0.0394	0.0394	0.59	lb	11813	15975	lb
32009X	45	75	20	20	15.5	1	1	0.33	Kg	60000	83000	N
	1.7717	2.9528	0.7874	0.7874	0.6102	0.0394	0.0394	0.73	lb	13500	18675	lb
32010X	50	80	20	20	15.5	1	1	0.37	Kg	61000	87000	N
	1.9685	3.1496	0.7874	0.7874	0.6102	0.0394	0.0394	0.81	lb	13725	19575	lb
32011X	55	90	23	23	17.5	1.5	1.5	0.55	Kg	81500	117000	N
	2.1654	3.5433	0.9055	0.9055	0.6890	0.0591	0.0591	1.21	lb	18338	26325	lb
32012X	60	95	23	23	17.5	1.5	1.5	0.59	Kg	85500	127000	N
	2.3622	3.7402	0.9055	0.9055	0.6890	0.0591	0.0591	1.30	lb	19238	28575	lb
32013X	65	100	23	23	17.5	1.5	1.5	0.63	Kg	86500	132000	N
	2.5591	3.9370	0.9055	0.9055	0.6890	0.0591	0.0591	1.39	lb	19463	29700	lb
32014X	70	110	25	25	19	1.5	1.5	0.84	Kg	104000	158000	N
	2.7559	4.3307	0.9843	0.9843	0.7480	0.0591	0.0591	1.85	lb	23400	35550	lb
32015X	75	115	25	25	19	1.5	1.5	0.89	Kg	109000	171000	N
	2.9528	4.5276	0.9843	0.9843	0.7480	0.0591	0.0591	1.96	lb	24525	38475	lb
32016X	80	125	29	29	22	1.5	1.5	1.27	Kg	140000	222000	N
	3.1496	4.9213	1.1417	1.1417	0.8661	0.0591	0.0591	2.79	lb	31500	49950	lb



Cone					Cup						rating load		
FIT Cone Number	Dimension (mm/in)			Weight (kg/lbs)	FIT Cup Number	Dimension (mm/in)				Weight (kg/lbs)	N/LB		
	d	B	r1			D	C	r2	T		Cr	C0r	
369A	47.625	22.225	3.5	0.38	362A	88.900	16.513	1.3	20.638	0.17	73000	85000	
	1 7/8	7/8	4/29	0.84		3 1/2	13/20	2/39	13/16	0.38	16425	19125	
385	55.000	21.946	2.3	0.44	382A	96.838	15.875	0.8	21.000	0.18	80500	100000	
	2 1/6	19/22	1/11	0.97		3 13/16	5/8	2/67	43/52	0.40	18113	22500	
387A	57.150	21.946	3.5	0.50	382	98.425	17.826	0.8	21.000	0.22	80500	100000	
	2 1/4	19/22	7/50	1.10		3 7/8	40/57	2/67	43/52	0.49	18113	22500	
390A	63.500	21.996	1.5	0.58	394A	110.000	18.824	1.3	22.000	0.26	85500	113000	
	2 1/2	84/97	3/50	1.28		4 1/3	63/85	2/39	13/15	0.57	19238	25425	
395	63.500	21.996	3.5	0.53	395-S	66.675	21.996	3.5	0.52	2 5/8	84/97	7/50	1.15
	2 1/2	84/97	7/50	1.17		4 1/3	63/85	2/39	13/15	0.57	19238	25425	
460	44.450	29.317	3.5	0.93	453A	107.950	22.225	0.8	27.782	0.42	116000	149000	
	1 3/4	1 2/13	4/29	2.18		4 1/4	7/8	2/67	1 3/32	0.93	26100	33525	
480	68.262	29.007	3.5	0.86	472	120.000	24.237	2	29.794	0.49	123000	169000	
	2 11/16	1 1/7	4/29	1.89		4 21/29	21/22	2/25	1 9/52	1.07	27675	38025	
484	70.000	29.007	2	0.82	493	120.000	24.237	2	29.794	0.49	123000	169000	
	2 65/86	1 1/7	3/38	1.82		4 21/29	21/22	2/25	1 9/52	1.07	27675	38025	
495A	76.200	29.769	3.5	1.26	572X	136.525	22.225	3.3	30.163	0.54	130000	192000	
	3	1 16/93	7/50	2.78		5 3/8	7/8	3/23	1 3/16	1.18	29250	43200	
580	82.550	36.098	3.5	1.40	592A	139.700	28.575	3.3	36.513	0.76	175000	260000	
	3 10/67	1 8/19	7/50	3.24		5 1/2	1 1/8	3/23	1 7/16	1.67	39375	58500	
598A	92.075	36.322	6.4	1.54	742	152.400	36.322	3.2	39.688	1.06	183000	285000	
	3 5/8	1 3/7	1/4	3.40		6	1 40/93	1/8	1 9/16	2.33	41175	64125	
594	95.250	36.322	3.5	1.47	1729	152.400	36.322	3.2	39.688	1.06	183000	285000	
	3 3/4	1 3/7	7/50	3.23		6	1 40/93	1/8	1 9/16	2.33	41175	64125	
749A	82.550	46.672	3.5	2.26	2420	150.089	36.512	3.3	44.450	1.07	265000	370000	
	3 1/4	1 67/80	4/29	4.97		5 10/11	1 7/16	3/23	1 3/4	2.35	59625	83250	
1755	22.225	19.837	1.3	0.16	1729	56.896	15.875	1.3	19.368	0.10	38000	40500	
	15/16	25/32	3/95	0.35		2 6/25	5/8	1/20	61/80	0.22	8550	9113	
1779	23.812	19.837	0.8	0.14	1729	56.896	15.875	1.3	19.368	0.10	38000	40500	
	15/16	25/32	2/67	0.31		2 6/25	5/8	1/20	61/80	0.22	8550	9113	
2474	28.575	22.225	0.8	0.26	2420	68.262	17.462	1.5	22.225	0.14	55000	64000	
	1 1/8	7/8	3/95	0.57		2 11/16	11/16	3/50	7/8	0.31	12375	14400	

Tapered Roller Bearings- Inch

Cone					Cup						rating load		
FIT Cone Number	Dimension(mm/in)			Weight (kg/lbs)	FIT Cup Number	Demension(mm/in)				Weight (kg/lbs)	N/LB		
	d	B	r1			D	C	r2	T		Cr	C0r	
2558	30.162	25.357	2.3	0.30	2523	69.850	19.050	1.3	23.812	0.17	71000	84000	
	1 3/16	1	1/11	0.66		2 3/4	3/4	2/39	15/16	0.37	15975	18900	
2580	31.750	25.357	0.8	0.29		69.850	19.050	1.3	23.813	0.17	71000	84000	
	1 1/4	1	3/95	0.65		2 3/4	3/4	1/20	15/16	0.37	15975	18900	
2585	33.338	25.357	3.5	0.26		69.850	19.050	1.3	23.813	0.17	47000	56000	
	1 5/16	1	7/50	0.58		2 3/4	3/4	1/20	15/16	0.37	10575	12600	
2788	38.100	25.654	3.5	0.31		2720	76.200	19.050	3.3	23.775	0.18	73500	91000
	1 1/2	1 1/99	4/29	0.68			3	3/4	3/23	44/47	0.40	16538	20475
3386	39.688	22.098	0.8	0.44		3320	80.167	23.812	3.3	29.37	0.21	92500	108000
	1 9/16	67/77	3/95	0.97			3 5/32	15/16	3/23	1 5/32	0.46	20813	24300
3490	38.100	29.771	3.5	0.40	3420	79.375	23.812	3.3	29.370	0.26	88000	106000	
	1 1/2	1 16/93	7/50	0.89		3 1/4	15/16	3/23	1 5/32	0.57	19800	23850	
3877	41.275	30.162	3.5	0.55	3820	85.725	23.812	3.3	30.163	0.29	91000	115000	
	1 5/8	1 3/16	7/50	1.21		3 3/8	15/16	10/77	1 3/16	0.64	20475	25875	
3982	63.500	30.048	3.5	0.78	3920	112.712	23.812	3.5	30.162	0.45	120000	173000	
	2 1/2	1 15/82	7/50	1.72		4 7/16	15/16	4/29	1 3/16	0.99	27000	38925	
2475	31.750	22.225	3.5	0.22	2420	68.262	17.462	1.5	22.225	0.15	55000	64000	
	1 1/4	7/8	7/50	0.49		2 11/16	11/16	3/50	7/8	0.33	12375	14400	
9062	15.875	21.539	0.8	0.13	9195	49.225	14.288	1.3	19.845	0.08	37500	37000	
	5/8	39/46	2/67	0.29		1 15/16	9/16	2/39	25/32	0.18	8438	8325	
11590	15.875	14.288	1.5	0.06	11520	42.862	9.525	1.5	14.287	0.04	17300	17200	
	5/8	9/16	3/50	0.13		1 11/16	3/8	3/50	9/16	0.09	3893	3870	
13685	38.100	26.195	1.5	0.25	13620	69.012	15.083	0.8	41.275	0.10	49000	61000	
	1 1/2	1 1/32	3/50	0.54		2 38/53	19/32	2/67	1 5/8	0.23	11025	13725	
13687	38.100	19.050	2	0.19	13621	69.012	15.083	2	19.050	0.10	49000	61000	
	1 1/2	3/4	2/25	0.41		2 38/53	19/32	3/38	3/4	0.22	11025	13725	
14123A	31.750	26.721	4.3	0.29	14274	69.012	15.875	3.3	19.845	0.13	47000	56000	
	1 1/4	1 4/77	11/65	0.64		2 38/53	5/8	3/23	25/32	0.28	10575	12600	
14125A	31.750	19.583	3.5	0.22	14276	69.012	15.875	1.3	19.845	0.13	47000	56000	
	1 1/4	64/83	7/50	0.48		2 38/53	5/8	1/20	25/32	0.29	10575	12600	
14131	33.338	19.583	0.8	0.23		69.012	15.875	1.3	19.845	0.13	47000	56000	
	1 5/16	64/83	2/67	0.50		2 38/53	5/8	1/20	25/32	0.29	10575	12600	
14137A	34.925	19.583	1.5	0.19		69.012	15.875	1.3	19.845	0.13	47000	56000	
	1 3/8	64/83	3/50	0.43		2 38/53	5/8	1/20	25/32	0.29	10575	12600	
14138A	34.925	19.583	3.5	0.19		69.012	15.875	1.3	19.845	0.13	47000	56000	
	1 3/8	64/83	7/50	0.42		2 38/53	5/8	1/20	25/32	0.29	10575	12600	
15100	25.400	20.638	3.5	0.21		15250X	63.500	15.875	1.5	20.638	0.11	46000	53000
	1	13/16	7/50	0.47			2 1/2	5/8	1/17	13/16	0.24	10350	11925
15101	25.400	20.638	0.8	0.22	15245	62.000	14.288	1.3	20.637	0.09	46000	53000	
	1	13/16	2/67	0.47		2 15/34	9/16	2/39	13/16	0.20	10350	11925	
15106	26.988	20.638	0.8	0.20		62.000	14.288	1.3	20.637	0.09	46000	53000	
	1 1/16	13/16	2/67	0.45		2 15/34	9/16	2/39	13/16	0.20	10350	11925	
15112	28.575	20.638	3.5	0.19		62.000	14.288	1.3	19.050	0.08	46000	53000	
	1 1/8	13/16	7/50	0.42		2 41/93	9/16	1/20	3/4	0.18	10350	11925	
15113	28.575	20.638	0.8	0.19		62.000	14.288	1.3	19.050	0.08	46000	53000	
	1 1/8	13/16	2/67	0.43		2 41/93	9/16	1/20	3/4	0.18	10350	11925	
*15117	30.000	20.638	1.3	0.19		15250	63.500	15.875	1.3	20.638	0.11	46000	53000
	1 2/11	13/16	2/39	0.42			2 1/2	5/8	1/20	13/16	0.24	10350	11925
15118	30.213	20.638	3.5	0.18	15245	62.000	14.288	1.3	19.050	0.08	46000	53000	
	1 18/95	13/16	7/50	0.39		2 41/93	9/16	1/20	3/4	0.18	10350	11925	
15120	30.213	20.638	0.8	0.18		62.000	14.288	1.3	19.050	0.08	46000	53000	
	1 18/95	13/16	2/67	0.40		2 41/93	9/16	1/20	3/4	0.18	10350	11925	
15123	31.750	19.050	spcl.	0.15		62.000	14.288	1.3	19.050	0.08	46000	53000	
	1 1/4	3/4	spcl.	0.33		2 41/93	9/16	1/20	3/4	0.18	10350	11925	

Tapered Roller Bearings- Inch

Cone					Cup						rating load	
FIT Cone Number	Dimension(mm/in)			Weight (kg/lbs)	FIT Cup Number	Demension(mm/in)				Weight (kg/lbs)	N/LB	
	d	B	r1			D	C	r2	T		Cr	C0r
15578	25.400	17.462	1.3	0.15	15520	57.150	13.495	1.5	17.462	0.07	39500	49500
	1	11/16	1/20	0.32		2 1/4	17/32	3/50	11/16	0.15	8888	11138
15580	26.988	17.462	3.5	0.13	15523	60.325	15.875	1.5	19.842	0.12	39500	49500
	1 1/16	11/16	7/50	0.30		2 3/8	5/8	3/50	25/32	0.27	8888	11138
17887	45.230	20.638	2	0.27	17831	79.985	15.080	1.3	30.559	0.13	62000	78500
	1 32/41	13/16	2/25	0.59		3 7/47	19/32	1/20	1 13/64	0.29	13950	17663
18590	41.275	17.462	3.5	0.19	18520	73.025	12.700	1.5	16.667	0.08	44500	54000
	1 5/8	11/16	7/50	0.43		2 7/8	1/2	3/50	21/32	0.18	10013	12150
24780	41.275	23.020	3.5	0.28	24720	76.200	17.462	0.8	22.225	0.15	66000	82000
	1 5/8	29/32	7/50	0.61		3	11/16	2/67	7/8	0.33	14850	18450
25578	42.862	25.400	2.3	0.38	25520	82.931	19.050	0.8	23.813	0.20	76500	99000
	1 11/16	1	1/11	0.83		3 22/83	3/4	2/67	15/16	0.44	17213	22275
25577	42.875	25.400	3.5	0.37	25521	83.058	19.050	3.3	23.813	0.19	76500	99000
	1 11/16	1	7/50	0.82		3 10/37	3/4	3/23	15/16	0.43	17213	22275
25580	44.450	25.400	3.5	0.36	25520	82.931	19.050	0.8	23.813	0.20	76500	99000
	1 3/4	1	4/29	0.79		3 22/83	3/4	2/67	15/16	0.44	17213	22275
25580	44.450	25.400	3.5	0.36	25521	83.058	19.050	3.3	23.813	0.19	76500	99000
	1 3/4	1	4/29	0.79		3 10/37	3/4	3/23	15/16	0.43	17213	22275
25577	42.875	25.400	3.5	0.37	25523	82.931	22.225	2.3	26.988	0.24	76500	99000
	1 11/16	1	7/50	0.82		3 22/83	7/8	1/11	1 1/16	0.54	17213	22275
25590	45.618	25.400	3.5	0.33	25520	82.931	19.050	0.8	23.813	0.20	76500	99000
	1 39/49	1	7/50	0.74		3 22/83	3/4	2/67	15/16	0.44	17213	22275
25877	34.925	24.608	1.5	0.31	25821	73.025	19.050	0.8	23.813	0.17	71000	86000
	1 3/8	31/32	3/50	0.67		2 7/8	3/4	2/67	15/16	0.36	15975	19350
26884	42.875	25.400	3.5	0.32	26823	76.200	20.638	1.5	25.400	0.14	77000	98500
	1 11/16	1	7/50	0.71		3	13/16	1/17	1	0.49	17325	22163
28580	50.800	25.400	3.5	0.46	28521	92.075	19.845	0.8	24.607	0.24	84500	117000
	2	1	7/50	1.02		3 5/8	25/32	2/67	31/32	0.54	19013	26325
28584	52.388	25.400	3.5	0.43	28521	92.075	19.845	0.8	24.607	0.24	84500	117000
	2 1/16	1	7/50	0.94		3 5/8	25/32	2/67	31/32	0.54	19013	26325
28680	55.562	24.608	3.5	0.49	28622	97.630	19.446	0.8	24.608	0.27	89000	129000
	2 3/16	31/32	7/50	1.08		3 27/32	49/64	2/67	31/32	0.59	20025	29025
28985	60.325	25.400	3.5	0.53	28921	100.000	19.845	3.3	25.400	0.22	91000	135000
	2 3/8	1	7/50	1.17		3 15/16	25/32	3/23	1	0.49	20475	30375
33275	69.850	30.162	3.5	0.82	33462	117.475	23.812	3.3	30.162	0.43	119000	179000
	2 3/4	1 3/16	7/50	1.81		4 5/8	15/16	3/23	1 3/16	0.95	26775	40275
33287	73.025	30.162	3.5	0.74	33462	117.475	23.812	3.3	30.162	0.43	119000	179000
	2 7/8	1 3/16	7/50	1.62		4 5/8	15/16	3/23	1 3/16	0.95	26775	40275
33262	66.675	30.162	0.8	0.99	33462	117.475	23.812	3.3	30.162	0.43	91003	135003
	2 1/2	1 3/16	2/67	2.18		4 5/8	15/16	3/23	1 3/16	0.95	20476	30376
33269	68.262	30.162	3.5	0.86	33472	12.000	23.444	0.8	29.794	0.52	91004	135004
	2 11/16	1 3/16	7/50	1.90		4 21/29	12/13	2/67	1 9/52	1.15	20476	30376
39585	63.500	30.162	0.8	0.89	39520	112.712	23.812	3.3	30.162	0.36	142000	202000
	2 1/2	1 3/16	2/67	1.97		4 7/16	15/16	10/77	1 3/16	0.79	31950	45450
47686	82.550	33.338	3.5	1.13	47620	133.350	26.195	3.3	33.337	0.56	154000	237000
	3 1/4	1 5/16	7/50	2.50		5 1/4	1 1/32	3/23	1 5/16	1.24	34650	53325
42368	93.662	28.971	3	1.23	42584	148.430	21.433	3	28.575	0.55	140000	218000
	3 11/16	1 9/64	3/25	2.72		5 27/32	27/32	3/25	1 1/8	1.22	31500	49050
45289	57.150	30.958	0.8	0.75	45220	104.775	23.812	3.3	30.162	0.35	130000	170000
	2 1/4	1 7/32	2/67	1.65		4 1/8	15/16	3/23	1 3/16	0.76	29250	38250
47680	76.200	33.338	0.8	1.34	47620	133.350	26.195	3.3	33.337	0.56	154000	237000
	3	1 5/16	2/67	2.95		5 1/4	1 1/32	3/23	1 5/16	1.24	34650	53325
A6075	19.050	11.153	1	0.04	A6157	39.992	9.525	1.3	12.014	0.03	14900	15700
	3/4	18/41	1/25	0.08		1 27/47	3/8	2/39	35/74	0.08	3353	3533

Tapered Roller Bearings- Inch

Cone					Cup						rating load		
FIT Cone Number	Dimension(mm/in)			Weight (kg/lbs)	FIT Cup Number	Demension(mm/in)				Weight (kg/lbs)	N/LB		
	d	B	r1			D	C	r2	T		Cr	C0r	
*L44643	25.400	14.732	1.3	0.09	*L44610	50.292	10.668	1.3	14.224	0.04	27600	32000	
	1	29/50	1/20	0.19		1 49/50	21/50	1/20	14/25	0.08	6210	7200	
*L44649	26.988	14.732	3.5	0.08	*L44610	50.292	10.668	1.3	14.224	0.04	27600	32000	
	1 1/16	29/50	7/50	0.17		1 49/50	21/50	1/20	14/25	0.08	6210	7200	
*L45449	29.000	14.732	3.5	0.08	*L45410	50.292	10.668	1.3	14.224	0.03	26800	34000	
	1 1/7	29/50	7/50	0.17		1 49/50	21/50	1/20	14/25	0.08	6030	7650	
*L68149	35.000	16.764	spcl.	0.12	*L68111	60.000	11.938	1.3	15.875	0.06	35000	47000	
	1 31/82	8/11	spcl.	0.27		2 21/58	8/17	1/20	5/8	0.14	7875	10575	
*M12649	21.430	18.288	1.3	0.11	*M12610	50.005	13.970	1.3	17.526	0.06	38500	40000	
	27/32	18/25	1/20	0.24		1 31/32	11/20	1/20	20/29	0.13	8663	9000	
M84548	25.400	19.431	1.5	0.15	M84510	57.150	14.732	1.5	19.431	0.09	42500	49000	
	1	13/17	3/50	0.34		2 1/4	29/50	3/50	13/17	0.19	9563	11025	
M86649	30.162	21.433	1.5	0.21	M86610	64.292	16.670	1.5	21.432	0.13	51000	64500	
	1 3/16	27/32	3/50	0.46		2 17/32	21/32	3/50	27/32	0.28	11475	14513	
M88046	31.750	22.225	1.5	0.25	M88010	68.262	17.462	1.5	22.225	0.14	55500	70500	
	1 1/4	7/8	3/50	0.54			2 11/16	11/16	3/50	7/8	0.32	12488	15863
M88048	33.338	22.225	0.8	0.24			68.262	17.462	1.5	22.225	0.14	55500	70500
	1 5/16	7/8	2/67	0.52		2 11/16	11/16	3/50	7/8	0.32	12488	15863	
JL69349	38.000	17.000	spcl.	0.13	JL69310	63.000	13.500	1.5	17.000	0.07	38500	52000	
	1 1/2	2/3	spcl.	0.30		2 12/25	17/32	1/20	2/3	0.16	8663	11700	
HM88630	25.400	25.400	0.8	0.39	HM88610	72.233	19.842	2.3	25.400	0.18	51000	64500	
	1	1	2/67	0.86		2 27/32	25/32	1/11	1	0.41	11475	14513	
HM89446	34.925	28.575	3.5	0.40	HM89411	76.200	23.020	0.8	29.369	0.26	78500	10600	
	1 3/8	1 1/8	7/50	0.87		3	29/32	2/67	1 5/32	0.57	17663	2385	
*LM11749	17.462	14.605	1.3	0.06	*LM11710	39.878	10.668	1.3	13.843	0.03	22500	22500	
	11/16	23/40	1/20	0.12		1 4/7	21/50	1/20	6/11	0.06	5063	5063	
*LM11949	19.050	16.637	1.3	0.08	*LM11910	45.237	12.065	1.3	15.494	0.04	28500	28900	
	3/4	19/29	1/20	0.17		1 25/32	19/40	1/20	36/59	0.10	6413	6503	
*LM12749	22.000	16.637	1.3	0.08	*LM12710	45.237	12.065	1.3	15.494	0.04	29200	33500	
	84/97	19/29	1/20	0.15		1 25/32	19/40	1/20	36/59	0.08	6570	7538	
LM29748	38.100	18.288	spcl.	0.14	LM29710	65.088	13.970	1.3	18.034	0.08	42500	55000	
	1 1/2	18/25	spcl.	0.32		2 9/16	11/20	1/20	22/31	0.17	9563	12375	
LM29749	38.100	18.288	2.3	0.15	LM29711	65.088	15.748	1.3	19.812	0.09	42500	55000	
	1 1/2	18/25	1/11	0.34		2 9/16	31/50	1/20	39/50	0.21	9563	12375	
LM29749	38.100	18.288	2.3	0.15	LM29710	65.088	13.970	1.3	18.034	0.08	42500	55000	
	1 1/2	18/25	1/11	0.34		2 9/16	11/20	1/20	22/31	0.17	9563	12375	
*LM48548	34.925	18.288	spcl.	0.16	*LM48510	65.088	13.970	1.3	18.034	0.09	47500	57500	
	1 3/8	18/25	spcl.	0.35		2 9/16	11/20	1/20	22/31	0.19	10688	12938	
*LM48548	34.925	18.288	spcl.	0.16	LM48511	65.088	16.256	1.3	20.32	0.11	47500	57500	
	1 3/8	18/25	spcl.	0.35		2 9/16	16/25	2/39	4/5	0.25	10688	12938	
*LM67043	27.000	16.764	spcl.	0.15	*LM67010	59.131	11.811	1.3	15.875	0.06	34500	41500	
	1 1/16	33/50	spcl.	0.34		2 20/61	20/43	1/20	5/8	0.14	7763	9338	
*LM67048	31.750	16.764	spcl.	0.12	*LM67010	61.986	11.811	1.3	15.875	0.09	34500	41500	
	1 1/4	33/50	spcl.	0.28		2 37/84	20/43	1/20	5/8	0.19	7763	9338	
*LM78349	34.988	17.000	spcl.	0.12	LM78310	61.973	13.600	1.5	16.702	0.07	38000	50000	
	1 37/98	2/3	spcl.	0.27		2 11/25	53/99	3/50	48/73	0.16	8550	11250	
HM212046	63.500	38.354	3.5	1.37	HM212010	122.238	29.718	3.5	38.100	0.60	188000	245000	
	2 1/2	1 25/49	7/50	3.02			4 13/16	1 9/53	1 8/47	1 1/2	1.32	42300	55125
HM212049	66.675	38.354	3.5	1.27			122.238	29.718	3.3	38.100	0.60	188000	245000
	2 5/8	1 25/49	7/50	2.80		4 13/16	1 9/53	3/23	1 1/2	1.32	42300	55125	
HM218248	89.974	40.000	7	1.77	HM218210	146.975	32.500	3.5	40.000	0.79	229000	345000	
	3 32/59	1 50/87	7/25	3.91		5 11/14	1 19/68	7/50	1 50/87	1.75	51525	77625	
HM518445	88.900	39.688	6.4	2.05	HM518410	152.400	30.162	3.3	39.688	0.76	253000	365000	
	3 1/2	1 9/16	1/4	4.52		6	1 3/16	3/23	1 9/16	1.68	56925	82125	

Tapered Roller Bearings- Inch

Cone					Cup						rating load	
FIT Cone Number	Dimension(mm/in)			Weight (kg/lbs)	FIT Cup Number	Demension(mm/in)				Weight (kg/lbs)	N/LB	
	d	B	r1			D	C	r2	T		Cr	C0r
HM807040	44.450	36.512	3.5	1.14	HM807010	104.775	28.575	3.3	36.512	0.50	139000	192000
	1 3/4	1 7/16	7/50	2.51		4 1/8	1 1/8	3/23	1 7/16	1.11	31275	43200
HM807046	50.800	36.512	3.5	1.01	HM807011	104.775	28.575	0.8	36.512	0.50	139000	192000
	2	1 7/16	7/50	2.23		4 1/8	1 1/8	2/67	1 7/16	1.11	31275	43200
HM807046	50.800	36.512	3.5	1.01	HM807010	104.775	28.575	3.3	36.512	0.50	139000	192000
	2	1 7/16	7/50	2.23		4 1/8	1 1/8	3/23	1 7/16	1.11	31275	43200
LM102949	45.242	19.812	3.5	0.21	LM102910	73.431	15.748	0.8	19.558	0.10	53500	75000
	1 25/32	39/50	7/50	0.47		2 49/55	31/50	2/67	67/87	0.22	12038	16875
*LM104947A	50.000	22.225	2.3	0.32	LM104911	82.550	16.510	1.3	21.116	0.13	71000	96000
	1 31/32	7/8	1/11	0.70		3 1/4	13/20	1/20	69/83	0.29	15975	21600
LM104949	50.800	22.225	3.5	0.30	LM104912	82.931	16.510	1.3	21.116	0.14	71000	96000
	2	7/8	7/50	0.66		3 22/83	13/20	1/20	69/83	0.30	15975	21600
*LM300849	40.988	18.000	spcl.	0.16	**LM300811	67.975	13.500	1.5	17.500	0.08	43500	58000
	1 27/44	17/24	spcl.	0.36		2 23/34	17/32	3/50	31/45	0.18	9788	13050
LM501349	41.275	19.812	3.5	0.23	LM501310	73.431	14.732	0.8	19.558	0.11	54500	67000
	1 5/8	39/50	7/50	0.50		2 49/55	29/50	2/67	67/87	0.24	12263	15075
LM603049	45.242	19.842	3.5	0.25	LM603011	77.788	15.080	0.8	19.842	0.12	56000	71000
	1 25/32	25/32	7/50	0.54		3 1/16	19/32	2/67	25/32	0.27	12600	15975
LM603049	45.242	19.842	0.8	0.25	LM603012	77.788	16.667	0.8	21.430	0.14	56000	71000
	1 25/32	25/32	2/67	0.55		3 1/16	21/32	2/67	27/32	0.31	12600	15975
JM714249	75.000	29.500	3	0.88	JM714210	120.000	25.000	2.5	31.000	0.42	129000	198000
	2 20/21	1 5/31	3/25	1.93		4 21/29	63/64	1/10	1 15/68	0.94	29025	44550
JLM104948	50.000	21.500	3	0.31	JLM104910	82.000	17.000	0.5	21.500	0.13	71000	96000
	1 92/95	11/13	3/25	0.68		3 21/92	2/3	1/50	11/13	0.28	15975	21600
JLM506849	55.000	23.000	1.5	0.37	JLM506810	90.000	18.500	0.5	23.000	0.18	79000	111000
	2 1/6	48/53	1/17	0.82		3 44/81	67/92	1/50	67/74	0.41	17775	24975